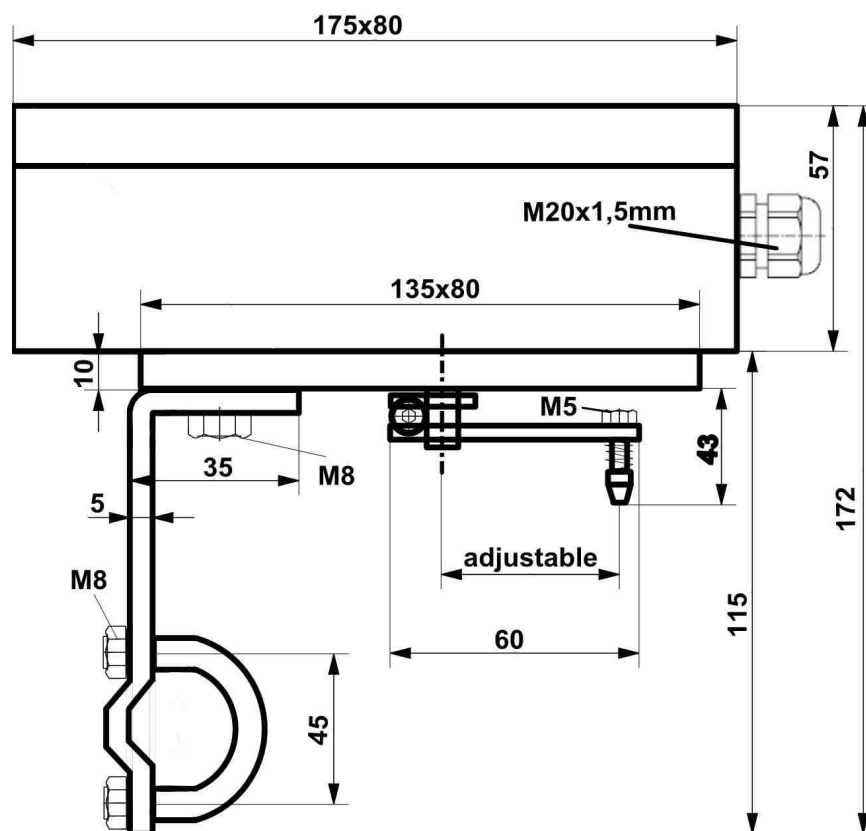


## mounting set for linear actuators acc. to NAMUR IEC 534



**images:** Mountable at cast-, flat- and pillars valve yokes: Stroke: 10 up to 35 and up to 100mm, the aluminium plate is not included in the set.



**material:** aluminium and stainless steel