



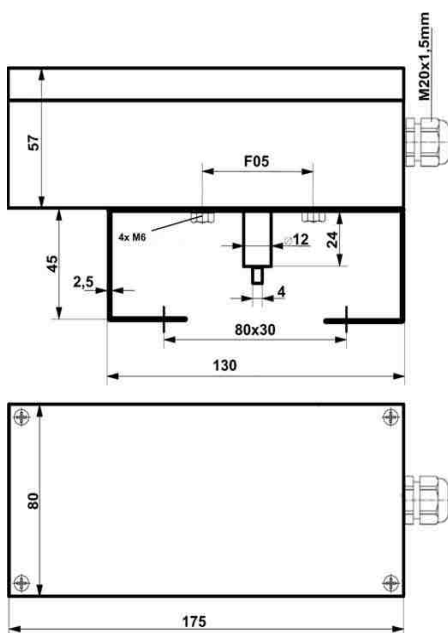
Bartec limit switches: 2x adjustable aluminium switching contacts.

technical data limit switch boxes

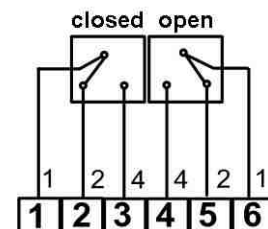
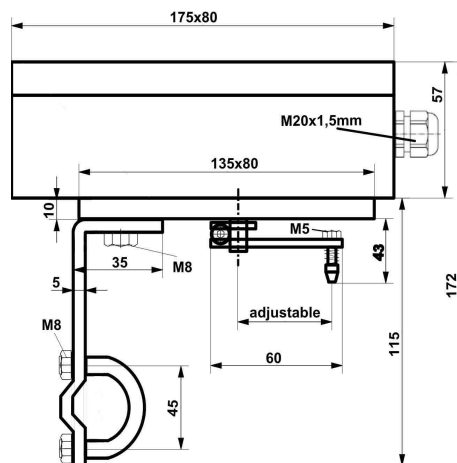
ATEX identification	II 2G Ex eb db IIC T6 Gb II 2D Ex tb IIIC T 80 °C Db
ambient temperature range	- 55 °C ≤ T _a ≤ + 70 °C
protection class	IP 65
material housing	AL = aluminium = ALSi-12, grey RAL 7001
dimensions housing	175x80x57 mm
cable gland	M20x1,5mm, nickel-plated or stainless steel, clamp range: Ø 14-9 mm and Ø 9-5 mm
mini-terminals	2x 3-pole, maximum 2,5 mm ²
weights:	- without/with ss-bracket = 0,84 kg/1,14 kg - without/with ss-mounting set = 1,1 kg/1,94 kg
connection rotary actuator	- acc. to VDI/VDE 3845, steam high 20, 30 and 50 mm, hole spacing 80x30 mm a. 130x30 mm
connection linear actuator	- mounting set f. linear actuators acc. to IEC 534

technical data limit switches

limit switch type	Bartec 07/1511-7330/01, contacts: silver Bartec 07/1511-8330/01, contacts: gold coated
voltage	4 - 250 V DC/AC
current	0,03 - 7A
max. switching rate	1000 operations / h
switching range	0° + 90°, 0° + 180° or adjustable
output polarity	3-wire
switching function	changer



dimensions



wiring diagram