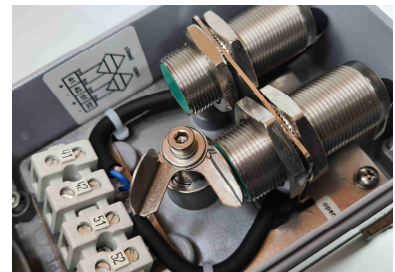


## 5 - 60 V DC aluminium limit switch box for pneumatic linear actuators



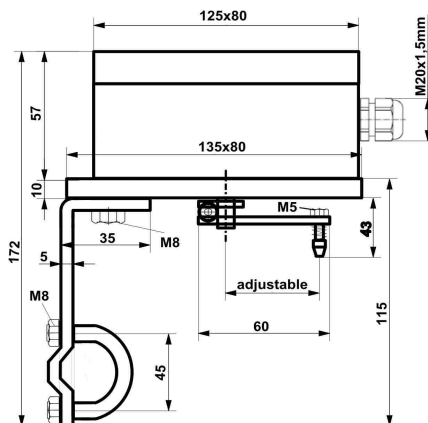
Pepperl+Fuchs inductive sensors with 2x adjustable stainless steel switching cams

### technical data limit switch box

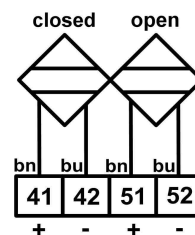
ambient temperature	- 20° C ≤ T <sub>a</sub> ≤ + 70° C
protection class	IP 65
material housing	AL = aluminium = ALSi-12, grey RAL 7001
dimensions housing	125x80x57mm
clamps	2x 2-pole, max. 2,5 mm <sup>2</sup>
cable gland	M20x1,5 mm, plastic grey, clamp range: ∅ 13-8,0 mm, tightening torque: 5 Nm
weight without/with mounting set	0,9 kg/1,57 kg
actuator connection	aluminium plate with F05 slot, mounting set, adjustment range: 10 up to 35 and up to 100 mm, acc. to NAMUR IEC 534

### technical data limit switches

2x Pepperl+Fuchs inductive sensors	NCB5-18GM40-Z0
operating voltage	5 ... 60 V DC
output polarity	DC
operating current	2 ... 100 mA
switching frequenz	0 ... 350 Hz
switching range	0° up to 180° or adjustable
output type	2-wire
switching function	Normally Open (NO)



dimensions



wiring diagram