

## BOLT ( PROXIMITY SWITCH )



The SOLDO BOLT Series Proximity Switch provides a compact design and the most economical solution for remote electrical indication of linear and rotary valve/ actuator position. The rugged design provide maximum application versatility.

### ( EXPLOSION PROOF AND WHEATER PROOF )

BOLT proximity switches are ATEX explosion proof II 2 GD Ex d IIC T6/T5/T4 Ex tb III C T80/95/115°C IP68.  
Weather proof IP 68  
No ATEX certification available for sub sea applications.

### ( STANDARD MOUNTING )

The BOLT switch utilizes industry standard 5/8-18 UNF or M16x1.5 threads and each switch is provided with two heavy-duty jam nuts. The BOLT Switch can be mounted with standard brackets or brackets can be customized to suit specific applications.

### ( CORROSION RESISTANT AND HEAVY DUTY HOUSING )

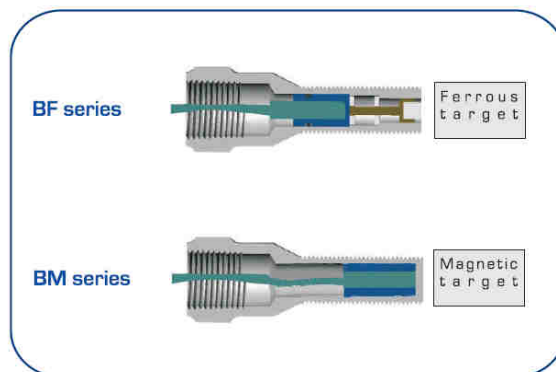
BOLT proximity switch are manufactured in a heavy duty housing made of 303 or 316 stainless steel. The rugged design make the BOLT series the ideal proximity switch for use in Ex d IIC applications.

### ( PRE-WIRED )

Each BOLT switch is provided with standard 450 mm flying leads. Longer lead lengths or junction box for electrical wiring are available upon request.

### ( TARGET REQUIRED )

BM series is provided with a magnetic target to ensure a positive trip. Only the magnetic target will trip the switch, potential false tripping from ferrous material is eliminated. BF series senses both ferrous and magnetic targets.



### ( SWITCH OPTIONS )

The BOLT proximity switch can be provided with SPST Bifurcated Reed Switches with contacts significantly enhance for performance on low current (<50mA) applications and SPDT Reed Switches that offer the most economical choice for general-purpose applications. Reed switches are double potted for maximum environmental protection. BF series are provided by SPDT switches with great electrical characteristics. N1 switches are designed to handle resistive or inductive load up to 5 Amps, the N3, with gold bifurcated contacts, can be used in low current applications.



### ( RATINGS )

Ambient temperature range:  
-20°C + 105°C (T4)  
Low temperature execution up to -40°C available on request  
Up to SIL 3 level available on request.  
GDST R and RTN permit on request.  
Electrical: according to switch option  
Consult "B02003-E-SWITCH\_DATA" bulletin for switch rating

SOLDO srl - via Monte Baldo, 60  
25015 Desenzano d/G. - Brescia - Italy  
Tel +39.030.9991309  
Fax +39.030.9141977  
e-mail sales@soldo.net



## BOLT ( PROXIMITY SWITCH )



### ( SUB-SEA CONNECTOR )

The BOLT proximity switches can be provided with a "Wet Mateable" undersea connector that allows the BOLT switches suitable for use in sub sea application, without Exd certification. Available on request, up to 3000 meters. The female connector will be supply complete of sub-sea cable with different length according to customer requirements.



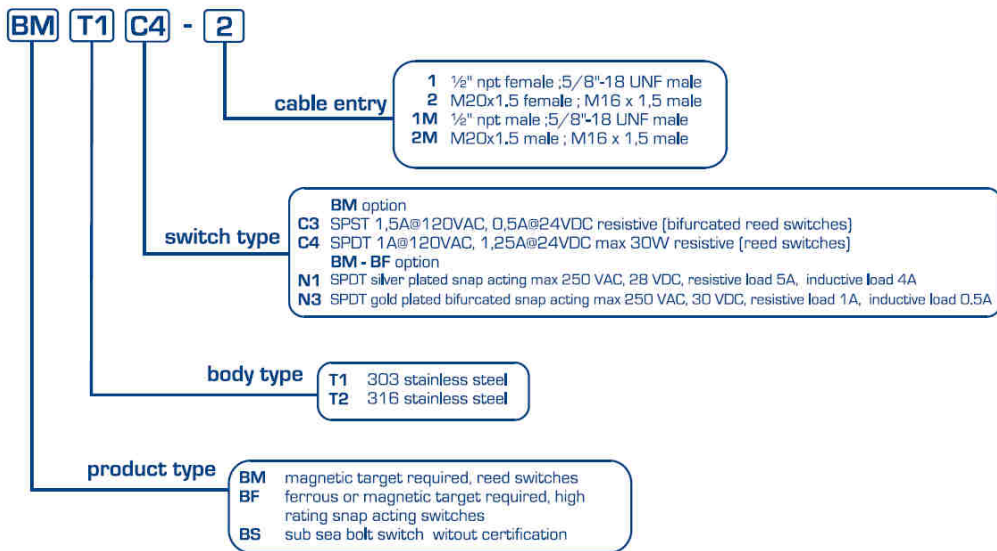
BOLT proximity switches complete of sub-sea connector



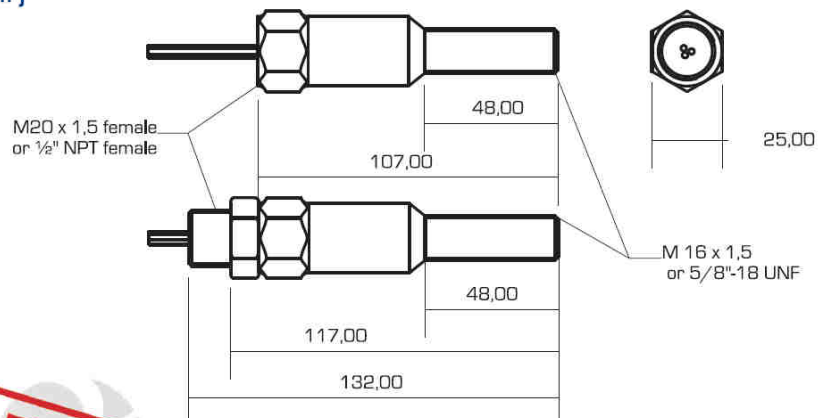
BOLT proximity switches complete of sub-sea connector



Sub-sea connector details



### ( DIMENSION mm )



SOLDIDO Srl reserves the right to change without notice  
802011-4-BOLT-14110



**SOLDIDO srl** - via Monte Baldo, 60  
25015 Desenzano d/G, - Brescia - Italy  
Tel. +39.030.9991309  
Fax +39.030.9141977  
e-mail: sales@soldido.net